



technical  
catalogue

[www.abka.net](http://www.abka.net)



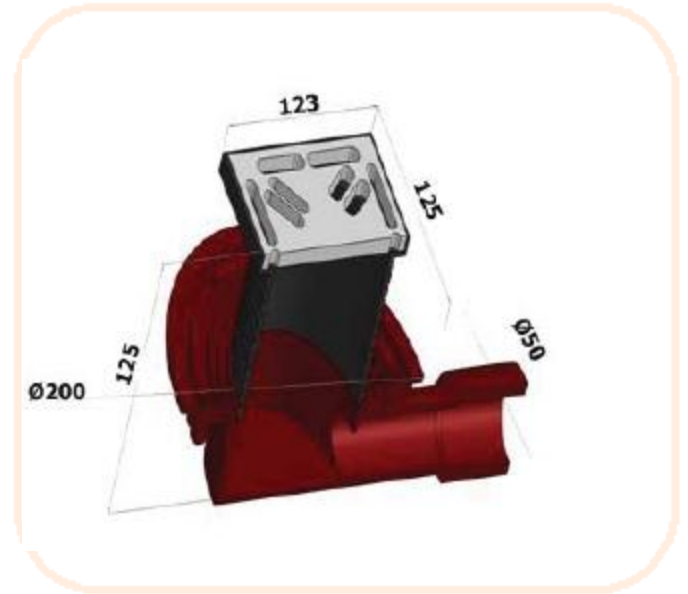
# Grills and Drainage Channels

## User Area

- ✓ Stadium drainage practice
- ✓ Green area and garden drainage practice
- ✓ Garage drainage practice
- ✓ Swimming pool drainage practice



Kasimpasa Stadium - Istanbul  
Drainage Systems



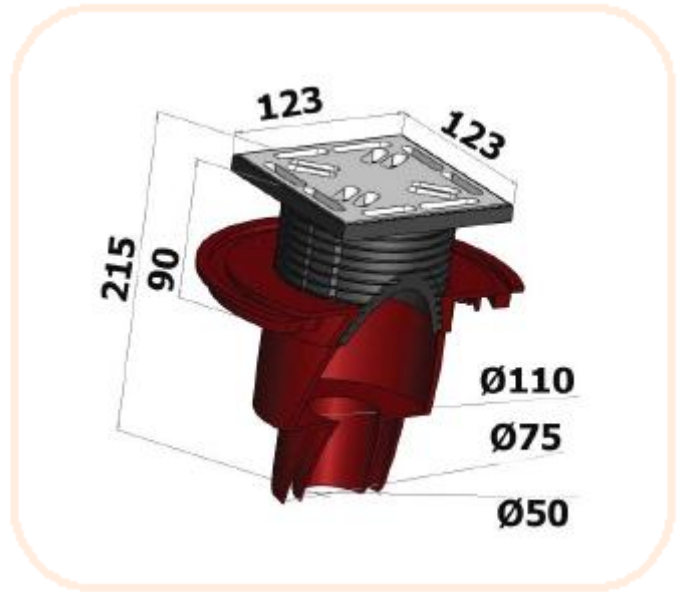
Floor drain DN 40/50 horizontal outlet with flange, cut to size plastic frame 12-70 mm. / 123x123mm and stainless steel grate 115x115mm. Installation height 57 mm. Comes lot with cover.

### Spare Parts

- AB 1** Grating d110 mm / 123x123 mm frame, 115x115 mm stainless steel grill
- AB 2** Grate frame d110 mm / 90 mm 123x123 mm
- AB 3** Supporting frame/cover 123x123 mm
- AB 4** Stainless steel grill 115x115 mm
- AB 5** Floor drain body DN 40/50 horizontal
- AB 1110** Waterproofing Kit

### Technical Data

<b>Material</b>	: PE/PP
<b>Dimension</b>	: DN 40/50
<b>Capacity</b>	: 0,43 L/sn
<b>Weight</b>	: 0.747 kg
<b>Load Class</b>	: 300 kg
<b>Installation Height</b>	: 93 mm
<b>Grate Frame</b>	: 12-70 mm / 123x123 mm



Floor drain DN 50/70/100 vertical outlet with flange, cut to size plastic grate frame 123x123 mm and stainless steel grate 115x115 mm. Comes lot with cover.

### Spare Parts

**AB 1** Grating d110 mm / 123x123 mm frame, 115x115 mm stainless steel grill

**AB 2** Grate frame d110 mm / 90 mm 123x123 mm

**AB 3** Supporting frame/cover 123x123 mm

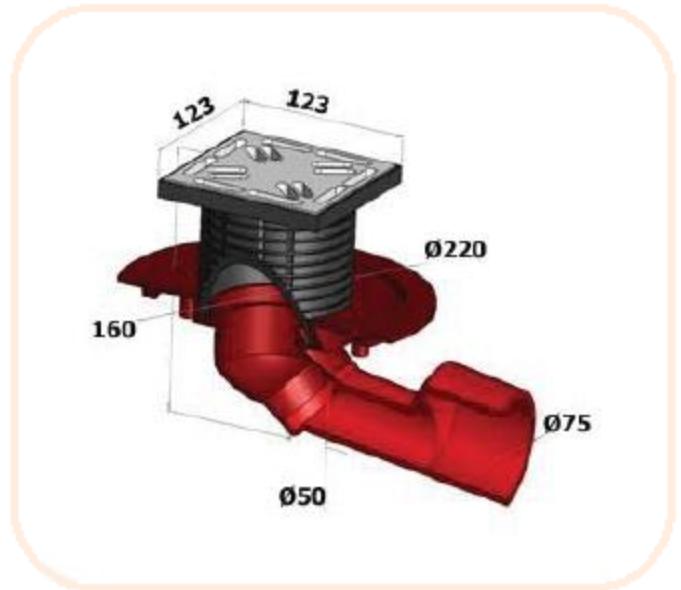
**AB 4** Stainless steel grill 115x115 mm

**AB 6** Floor drain body DN 50/70/100 vertical

**AB 1110** Waterproofing kit

### Technical Data

<b>Material</b>	: PE/PP
<b>Dimension</b>	: DN 50/70/100
<b>Capacity</b>	: 0,50 L/sn
<b>Weight</b>	: 0.750 kg
<b>Load Class</b>	: 300 kg
<b>Installation Height</b>	: 158 mm
<b>Grate Frame</b>	: 12-70 mm / 123x123 mm



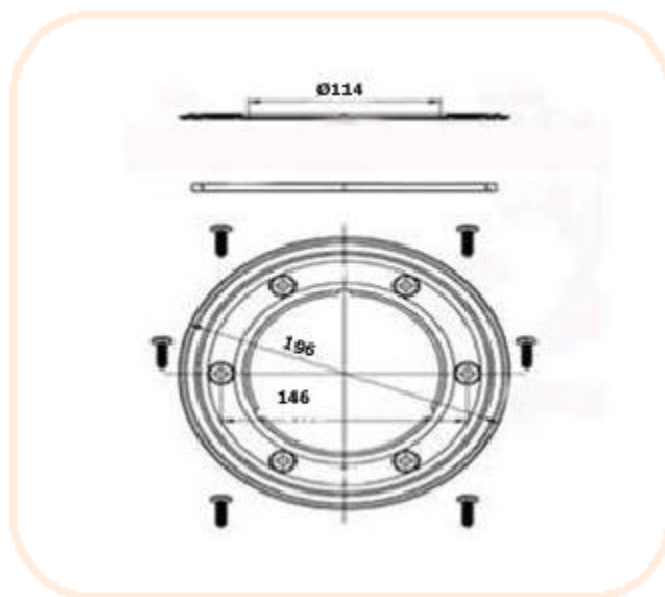
Floor drain DN 50/70 with ball joint outlet (for horizontal and vertical use) with flange, cut to size plastic grate frame 12-70 mm, 123 x 123 mm and steel grate 115 x 115 mm. Comes with lot cover.

### Spare Parts

- AB 1** Grating d110 mm / 123x123 mm frame, 115x115 mm stainless steel grill
- AB 2** Grate frame d110 mm / 90 mm 123x123 mm
- AB 3** Supporting frame/cover 123x123 mm
- AB 4** Stainless steel grill 115x115 mm
- AB 7** Floor drain body DN 50/70 ball- joint
- AB 1110** Waterproofing Kit

### Technical Data

<b>Material</b>	: PE/PP
<b>Dimension</b>	: DN 50/70
<b>Capacity</b>	: 0,48 L/Sn.
<b>Weight</b>	: 0,547 kg
<b>Load Class</b>	: 300 kg
<b>Installation Height</b>	: 103 mm
<b>Grate Frame</b>	: 12-70 mm / 123x123 mm



Waterproofing kit, 196x114 mm stainless steel flange, screws and lip seal.  
AB1010, AB1020 and AB1030 codes floor drains for suitable.

### Spare Parts

**AB 1111** Lip seal 180x6 mm

**AB 1112** Screws 6,3x16 mm (6 pcs.)

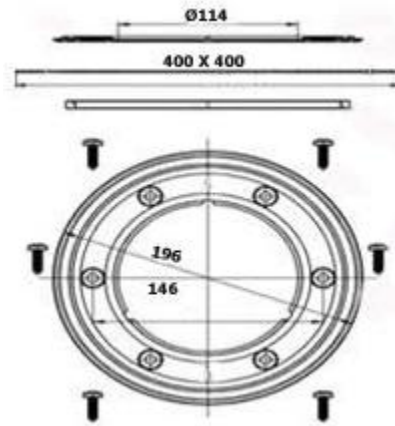
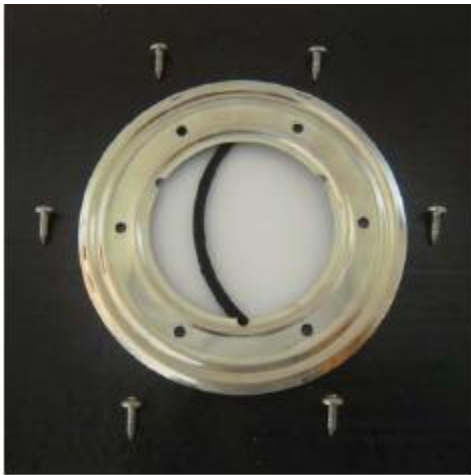
**AB 1113** Stainless steel flange 200x115 mm

### Technical Data

**Material** : Stainless steel (including screws)

**Dimension** : 196x114 mm

**Weight** : 0,245 kg



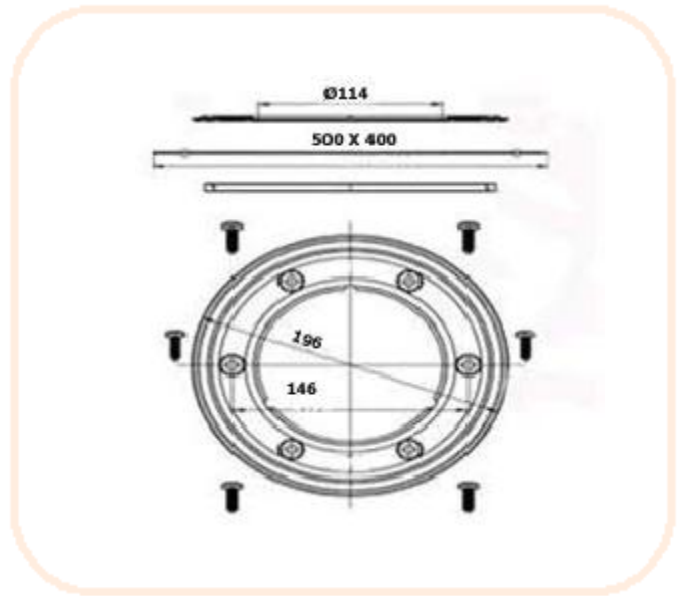
Waterproofing kit, 196x114 mm stainless steel flange, screws, lip seal and EPDM AB1010, AB1020 and AB1030 codes floor drains for suitable.

### Spare Parts

- AB 1111** Lip seal 180x6 mm
- AB 1112** Screws 6,3x16 mm (6 pcs.)
- AB 1113** Stainless steel flange 200x115 mm
- AB 1114** EPDM collar 400x400 mm

### Technical Data

- Material** : Stainless Steel (including screws) - EPDM
- Dimension** : 196x114 mm / d 400 mm
- Weight** : 0,425 kg



Waterproofing kit, 196x114 mm stainless steel flange, screws, lip seal and waterproofing texture for liquid insulation. AB1010, AB1020 and AB1030 codes floor drains for suitable.

### Spare Parts

- AB 1111** Lip seal 180x6 mm
- AB 1112** Screws 6,3x16 mm (6 pcs.)
- AB 1113** Stainless Steel Flange 200x115 mm
- AB 1115** 0,3 mm waterproofing material for liquid insulation 500x400 mm

### Technical Data

- Material** : Stainless Steel (including screws)
- Dimension** : 196x114 mm / d 400 mm
- Weight** : 0,125 kg

**Waterproofing Material** : %60 elastic, UV stable, watertight sealing tape. Polypropylene based, polyurethane film modified. The product is used as a sealing tape to prevent water penetration and formation of cracks under ceramic tiles and between application layers of Waterproofing materials.



## Ab 1300

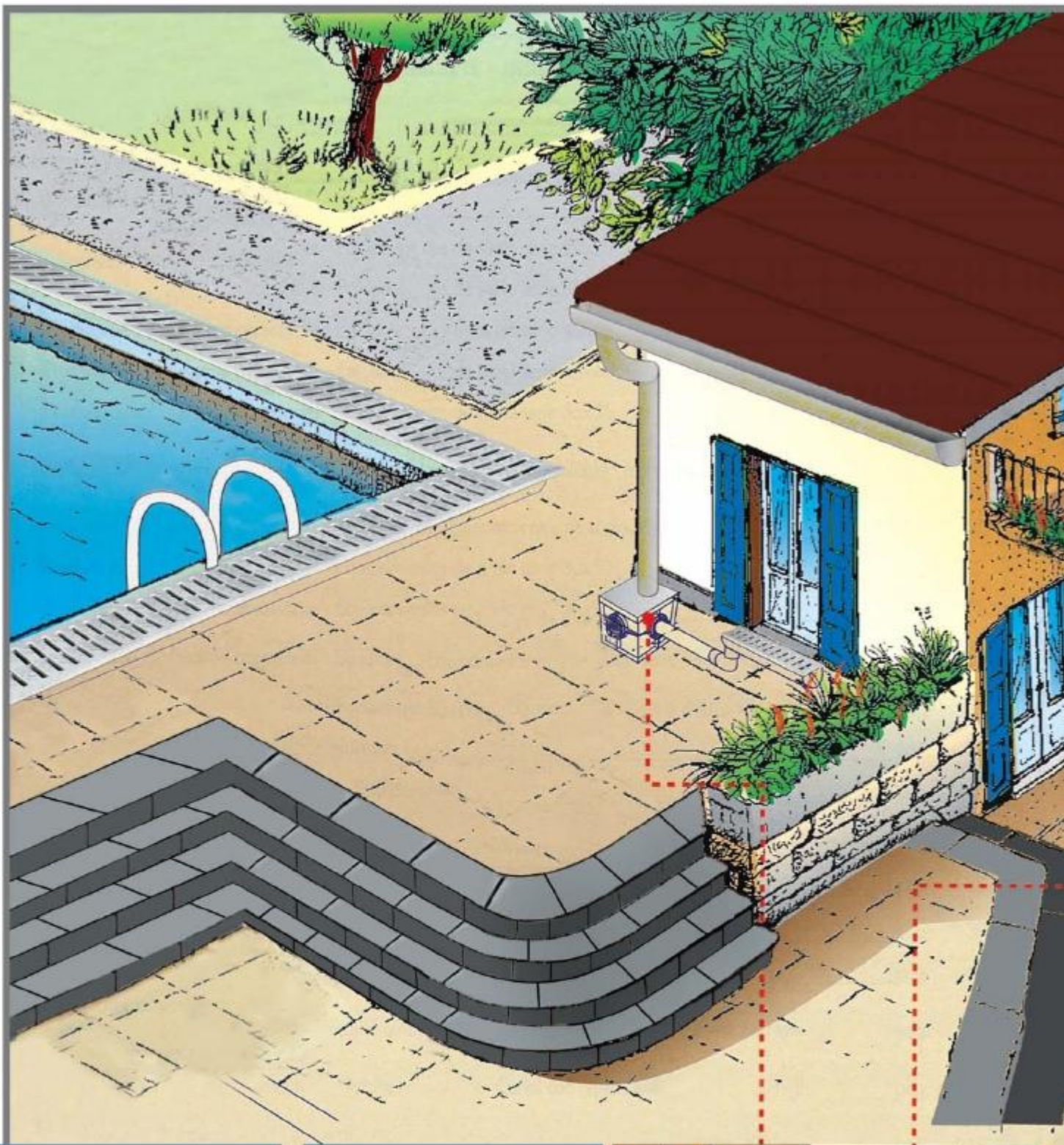


Floor drain DN50/70/100 vertical outlet, 123x123mm frame, 115x115 mm stainless steel grate, cut to size great frame 12-70 mm, maximum 300 kg, 0,50.L/sn. water flow capacity. Difference; with mounted EPDM.

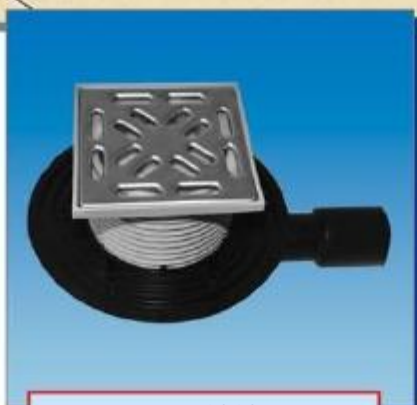
## Ab 1310



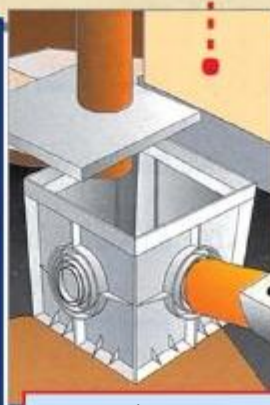
Floor drain DN40/50 horizontal outlet, cut to size great frame 12-70mm, 123x123 mm frame, 115x115mm stainless steel grate, installation height 57 mm, maximum 300 kg, 0,43.L/sn. water flow capacity. Difference; with mounted EPDM.



Floor Drain



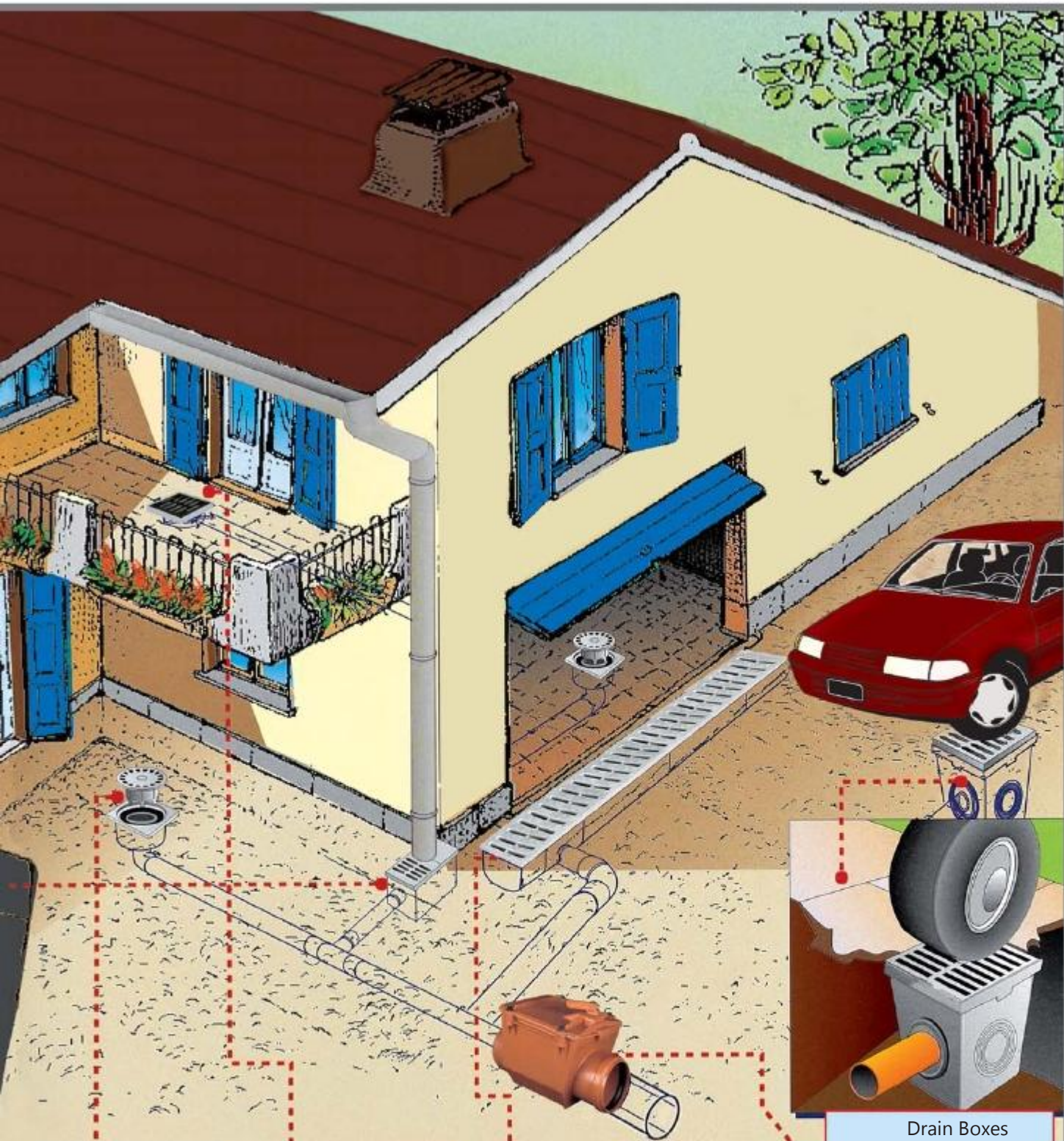
AB 1010



Drain Boxes



AB 1020



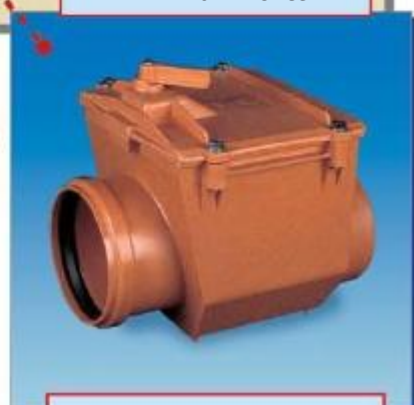
Drain Boxes



Floor Drains



Grill - Drainage Channels



Non Return Valve



## AB FLOOR DRAINAGE

Ab 1350 - 1360

Ab 1350



Floor drains DN50/70/100 vertical outlet, 123x123mm frame, 115x115mm stainless steel grill, cut to size great frame 12-70mm, maximum 300 kg, 0,50.L/sn. water flow capacity. Difference; with waterproofing material for liquid insulation.

Ab 1360



Floor drains DN40/50 horizontal outlet, cut to size great frame 12-70mm, 123x123 mm Great frame, 115x115mm stainless steel grill, installation weight 57 mm, maximum 300 kg, 0,43.L/sn. water flow capacity. Difference; with waterproofing material for liquid insulation..

IMAGE	TECHNICAL	CODE	DMS.	EXPLANATION
		AB 100	10x10	PP Gully Trap Ø50 Horizontal
		AB 120	15x15	PVC Gully Trap Ø50 Vertical
		AB 130	20x20	PVC Gully Trap Ø70 Vertical
		AB 140	20x20	PVC Gully Trap Ø70 Horizontal
		AB 150	25x25	PVC Gully Trap Ø100 Vertical

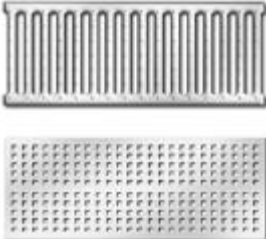


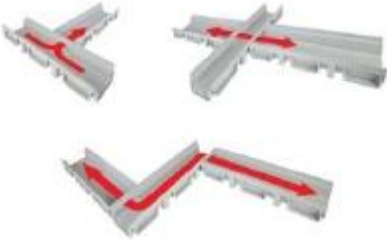

IMAGE	TECHNICAL	CODE	DMS	EXPLANATION
		AB 200	130x500	PVC Grill (2,5 Ton Capacity)
		AB 250	200x500	PVC Grill (1,5 Ton Capacity)
		AB 210	130x75x500	Drainage Channels
		AB 200	130	Channels End Socket
		AB 230		Corner Part 90° (Complete)
		AB 260	200x100x500	Drainage Channels

IMAGE	TECHNICAL	CODE	DMS.	EXPLANATION																								
		AB 270	200	Channels End Socket																								
		AB 280		Corner Parts 90° (Complete)																								
	<p>KOD-PPKCD110 (Ø110 İÇİN) / PPKCD125 (Ø125 İÇİN) KİLİTLİ VİLLA TİPİ PASLANMAZ ÇEKMEK</p>  <table border="1"> <thead> <tr> <th colspan="4">PPK KİLİTLİ ÇEKMEK BOMUTSAL ÖLÇÜLERİ</th> </tr> <tr> <th>Ø</th> <th>L</th> <th>H</th> <th>G</th> </tr> </thead> <tbody> <tr> <td>110</td> <td>285</td> <td>224</td> <td>185</td> </tr> <tr> <td>125</td> <td>300</td> <td>224</td> <td>185</td> </tr> </tbody> </table>	PPK KİLİTLİ ÇEKMEK BOMUTSAL ÖLÇÜLERİ				Ø	L	H	G	110	285	224	185	125	300	224	185	AB 300		Ø 100 mm Stainless Flap Non Return Valves								
		PPK KİLİTLİ ÇEKMEK BOMUTSAL ÖLÇÜLERİ																										
Ø	L	H	G																									
110	285	224	185																									
125	300	224	185																									
		AB 310		Ø 125 mm Stainless Flap Non Return Valves																								
	<p>KOD-PPKCD110 (Ø110 İÇİN) / PPKCD125 (Ø125 İÇİN) PPKCD150 (Ø150 İÇİN) / PPKCD180 (Ø180 İÇİN) KARAKLI TİP PASLANMAZ ÇEKMEK</p>  <table border="1"> <thead> <tr> <th colspan="4">PPK KARAKLI ÇEKMEK BOMUTSAL ÖLÇÜLERİ</th> </tr> <tr> <th>Ø</th> <th>L</th> <th>H</th> <th>G</th> </tr> </thead> <tbody> <tr> <td>110</td> <td>300</td> <td>270</td> <td>235</td> </tr> <tr> <td>125</td> <td>300</td> <td>270</td> <td>235</td> </tr> <tr> <td>150</td> <td>310</td> <td>270</td> <td>235</td> </tr> <tr> <td>180</td> <td>405</td> <td>270</td> <td>235</td> </tr> </tbody> </table>	PPK KARAKLI ÇEKMEK BOMUTSAL ÖLÇÜLERİ				Ø	L	H	G	110	300	270	235	125	300	270	235	150	310	270	235	180	405	270	235	AB 350		Ø 100 mm Stainless Flap Non Return Valves
		PPK KARAKLI ÇEKMEK BOMUTSAL ÖLÇÜLERİ																										
		Ø	L	H	G																							
		110	300	270	235																							
125	300	270	235																									
150	310	270	235																									
180	405	270	235																									
		AB 360		Ø 125 mm Stainless Flap Non Return Valves																								
		AB 370		Ø 150 mm Stainless Flap Non Return Valves																								
		AB 380		Ø 200 mm Stainless Flap Non Return Valves																								
	<p>KOD-PPKCD180 (Ø180 İÇİN) / PPKCD200 (Ø200 İÇİN) KİLİTLİ TİP PASLANMAZ ÇEKMEK</p>  <table border="1"> <thead> <tr> <th colspan="4">PPK KİLİTLİ ÇEKMEK BOMUTSAL ÖLÇÜLERİ</th> </tr> <tr> <th>Ø</th> <th>L</th> <th>H</th> <th>G</th> </tr> </thead> <tbody> <tr> <td>180</td> <td>310</td> <td>270</td> <td>235</td> </tr> <tr> <td>200</td> <td>405</td> <td>270</td> <td>235</td> </tr> </tbody> </table>	PPK KİLİTLİ ÇEKMEK BOMUTSAL ÖLÇÜLERİ				Ø	L	H	G	180	310	270	235	200	405	270	235	AB 320		Ø 150 mm Stainless Flap Non Return Valves								
		PPK KİLİTLİ ÇEKMEK BOMUTSAL ÖLÇÜLERİ																										
Ø	L	H	G																									
180	310	270	235																									
200	405	270	235																									
		AB 330		Ø 200 mm Stainless Flap Non Return Valves																								

IMAGE	TECHNICAL	CODE	DMS.	EXPLANATION
		AB 400	200x200	PP Drain Boxes
		AB 410	300x300	PP Drain Boxes
		AB 420	400x400	PP Drain Boxes
		AB 430	500x500	PP Drain Boxes
		AB 440	20x20	Lids
		AB 450	30x30	Lids
		AB 460	40x40	Lids
		AB 470	50x50	Lids
		AB 480	20x20	Grills
		AB 490	30x30	Grills
		AB 500	40x40	Grills
		AB 510	50x50	Grills
		AB 560	For Rain Gutters	Octopus Ø 150-200
		AB 570		75 mm Ball From Corner Adapter
		AB 580		110 mm Ball From Corner Adapter
		AB 590		75 mm Corner From Ball Adapter
		AB 600		110 mm Corner From Ball Adapter
		AB 610	110 mm	Corner Balcony Gully



IMAGE	TECHNICAL	CODE DMS.	EXPLANATION
			AB 5, AB 6 and AB7 For leaf protect part
<p style="background-color: red; color: white; padding: 2px; display: inline-block;">New</p>		10x10	Ø32 Horizontal Plastic Body and Stainless Steel Grill Gully
		10x10	Ø50 Horizontal Plastic Body and Stainless Steel Grill Gully
<p style="background-color: red; color: white; padding: 2px; display: inline-block;">New</p>		10x10	Ø32 Horizontal Plastic Body and Stainless Steel Grill Gully
		10x10	Ø50 Horizontal Plastic Body and Stainless Steel Grill Gully
<p style="background-color: red; color: white; padding: 2px; display: inline-block;">New</p>		130x150	130 mm Stainless Steel Grill
<p style="background-color: red; color: white; padding: 2px; display: inline-block;">New</p>			

IMAGE	TECHNICAL	CODE DMS.	EXPLANATION
		200x500	200 mm Stainless Steel
<p><b>New</b></p>			
		130x500 200x500	Drainage Channels
<p><b>New</b></p>			
		130 mm 200 mm	Channels End Socket

Not Water Working  
Floor Drains with  
Waterproofing





[www.abka.net](http://www.abka.net)



AB 1010



AB 1020



AB 1030

Bostancı Road Avenue, Eryılmaz Street. No: 28/4  
Y.Dudullu - Ümraniye - Istanbul TURKEY

T: +90 (216) 364 3 364  
F: +90 (216) 313 46 46